



TECHNOVOS
ENGINEERING & CONSULTING LLP

AGILE | COLLABORATE | DELIVER

From Ideation to Implementation

ENGINEERING SERVICES AND NEW PRODUCT DEVELOPMENT
CASE STUDIES-OFF HIGHWAY MACHINES

Area of our Focus- Services we offer Are:

1. New Product Development
2. Product Ideation and Concept Study
3. Legacy Conversion
4. ECN / ECR
5. CAD Conversion (2D to 3D)
6. Reverse Engineering
7. Product Indigenization
8. Re-Engineering or Product Re-Evaluation
9. Product Engineering and Prototyping
10. BPR (Business Process Reengineering)
11. Technical & Product Manual Publication



OUR DOMAIN EXPERIENCE



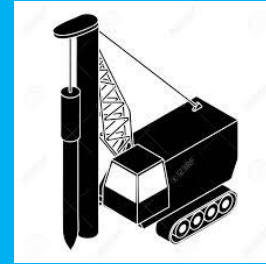
MATERIAL
HANDLING



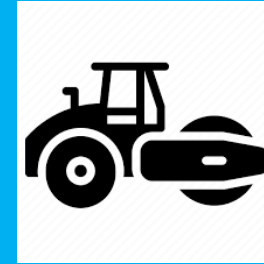
EARTH MOVING



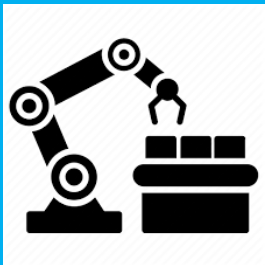
AGRICULTURAL



DRILLING



ROAD INFRA



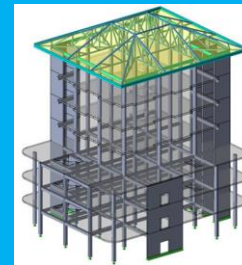
INDUSTRIAL



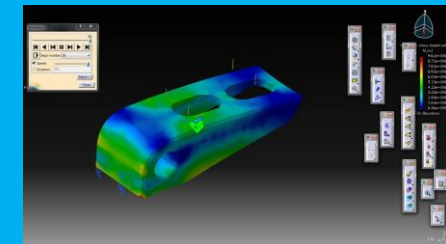
BPR &
PROCESS
AUTMATIO



MINING
MACHINERY



STRUCTURAL
DESIGN/
ENGINEERING



STRUCTURAL
ANALYSIS



CASE STUDIES-Off Highway Machines

1. Motor Grader with 12 Feet Wide Blade
2. Design of Track Frame Assembly



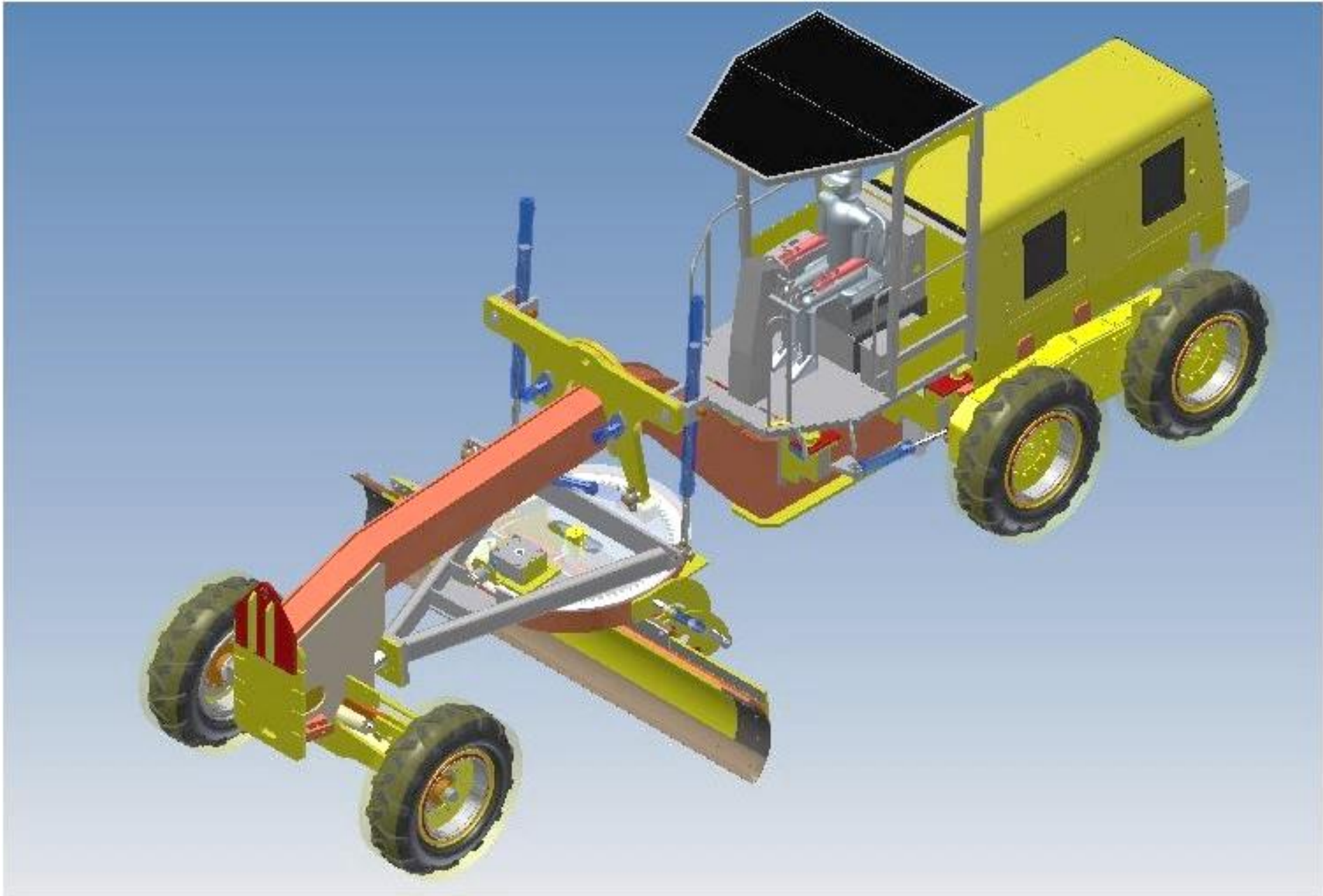
CASE STUDY: 2

MOTOR GRADER

- **12 feet blade motor grader with CAN based transmission**
- **Auto gear facility with optional manual gear shifting**
- **Load sensing hydraulics for optimum supply on demand**
- **CAD PLATFORM: SOLIDWORKS**
- **DURATION: 2 YEARS**
- **SCOPE: DESIGN, DEVELOPMENT, VENDOR MANAGEMENT AND SOURCING, MANUFACTURING, ASSEMBLY, INTEGRATION, HYDRAULIC SYSTEM DESIGN, LOGIC, PROTO, FIELD TESTING, AND CERTIFICATION WITH ARAI**

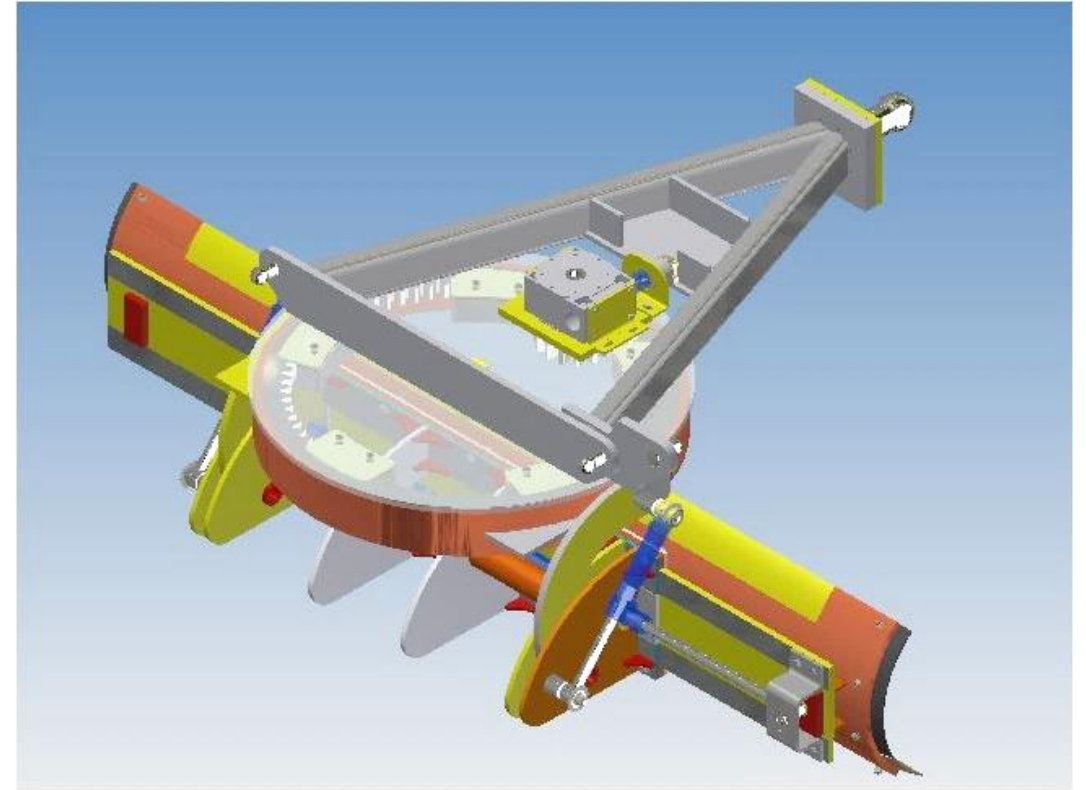
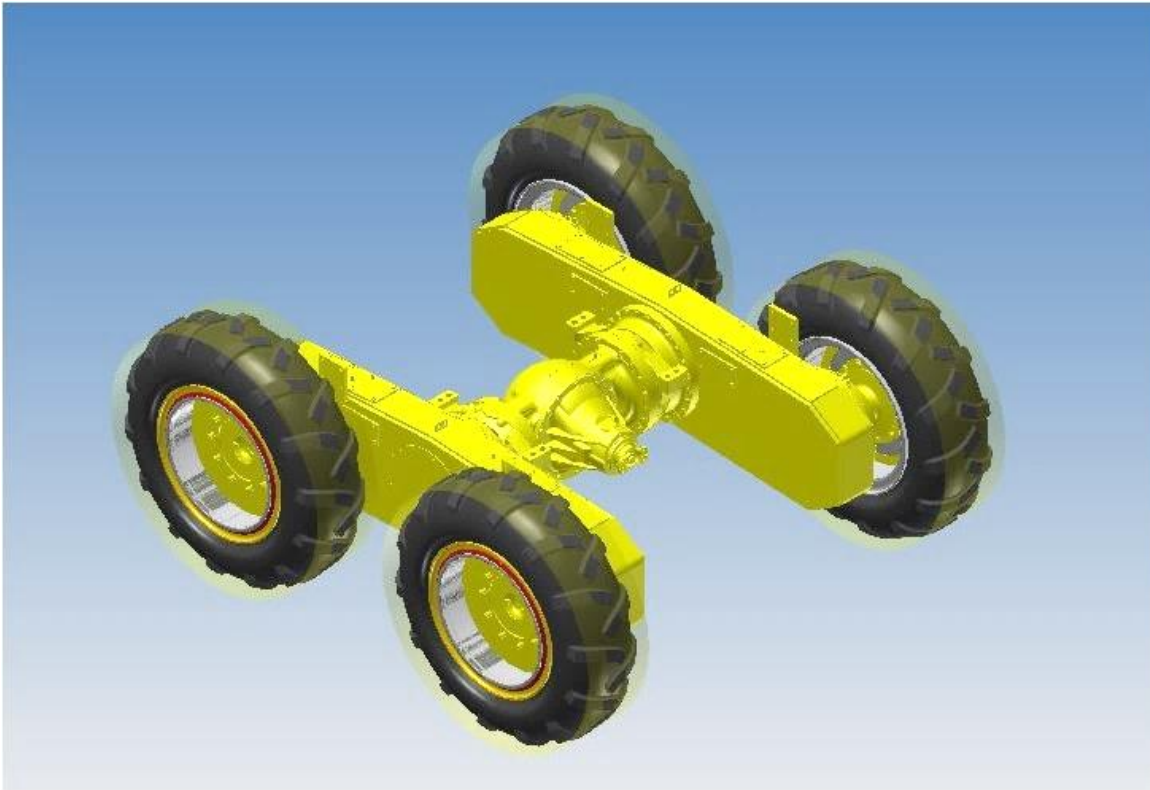








GRADER SUB-ASSEMBLIES



CASE STUDY: 1

DESIGN OF TRACK ASSEMBLY-FRAME, SPROCKET, IDLERS & ROLLERS

**CAD PLATFORM:
SOLIDWORKS**

DURATION: 6 MONTHS

**SCOPE: DESIGN,
DEVELOPMENT,
MANUFACTURING,
ASSEMBLY, INTEGRATION,
SOURCING, PROTO, FIELD
TESTING,**

