



TECHNOVOS
ENGINEERING & CONSULTING LLP

AGILE | COLLABORATE | DELIVER

From Ideation to Implementation

ENGINEERING SERVICES AND NEW PRODUCT DEVELOPMENT
CASE STUDIES-DRILLING MACHINES

Area of our Focus- Services we offer Are:

1. New Product Development
2. Product Ideation and Concept Study
3. Legacy Conversion
4. ECN / ECR
5. CAD Conversion (2D & 3D)
6. Reverse Engineering
7. Product Indigenization
8. Re-Engineering or Product Re-Evaluation
9. Product Engineering and Prototyping
10. BPR (Business Process Reengineering)
11. Technical & Product Manual Publication



OUR DOMAIN EXPERIENCE



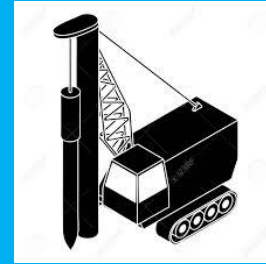
MATERIAL
HANDLING



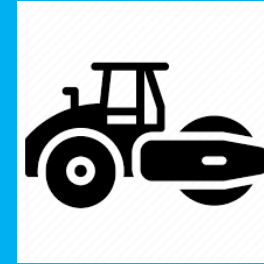
EARTH MOVING



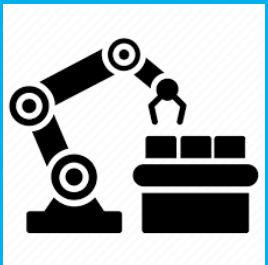
AGRICULTURAL



DRILLING



ROAD INFRA



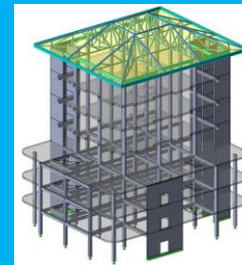
INDUSTRIAL



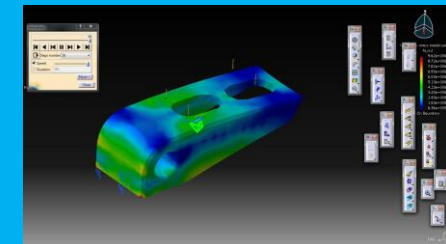
BPR &
PROCESS
AUTMATIO



MINING
MACHINERY



STRUCTURAL
DESIGN/
ENGINEERING



STRUCTURAL
ANALYSIS



CASE STUDIES In Drilling Machines

1. Electrical Blast Hole Drilling Machine
2. Diesel Blast Hole Drilling Machine
3. Core Drill for Exploration
4. Dust Collector for Mining Machines
5. Crawler Rigs for Quarrying
6. Drilling Attachments for Excavators



CASE STUDY: 1

ELECTRICAL BLAST HOLE DRILLING MACHINE

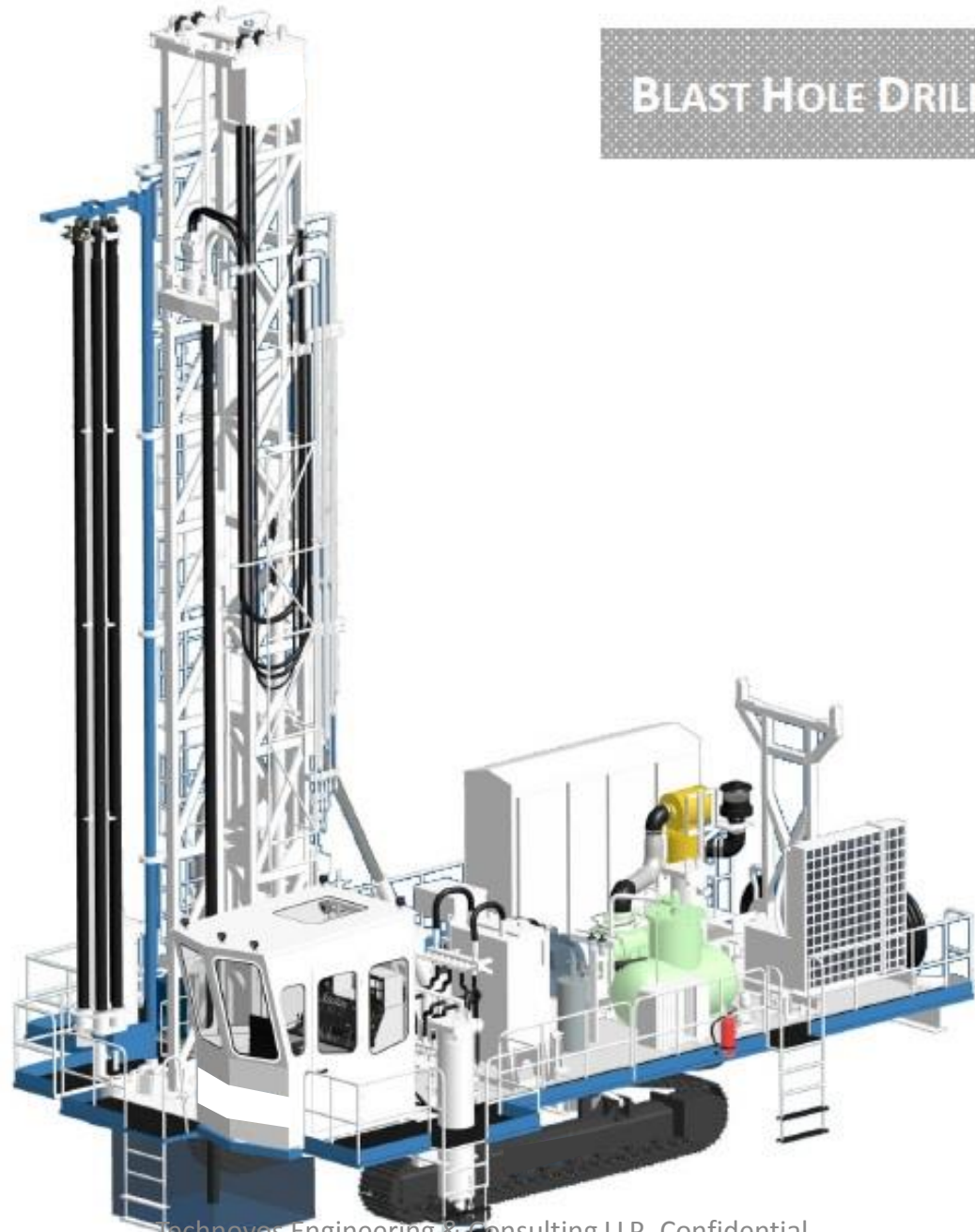
Blast Hole Drill with onboard AC Induction Motor, DOL starting with 6.6 kV Direct power supply

Used in coal and metal mines

- CAD PLATFORM: AUTODESK INVENTOR
- DURATION: 1.5 YEARS
- SCOPE: DESIGN, DEVELOPMENT, MANUFACTURING, ASSEMBLY, INTEGRATION, AUTOMATION, LOGIC, PROTO, FIELD TESTING, AND CERTIFICATION.



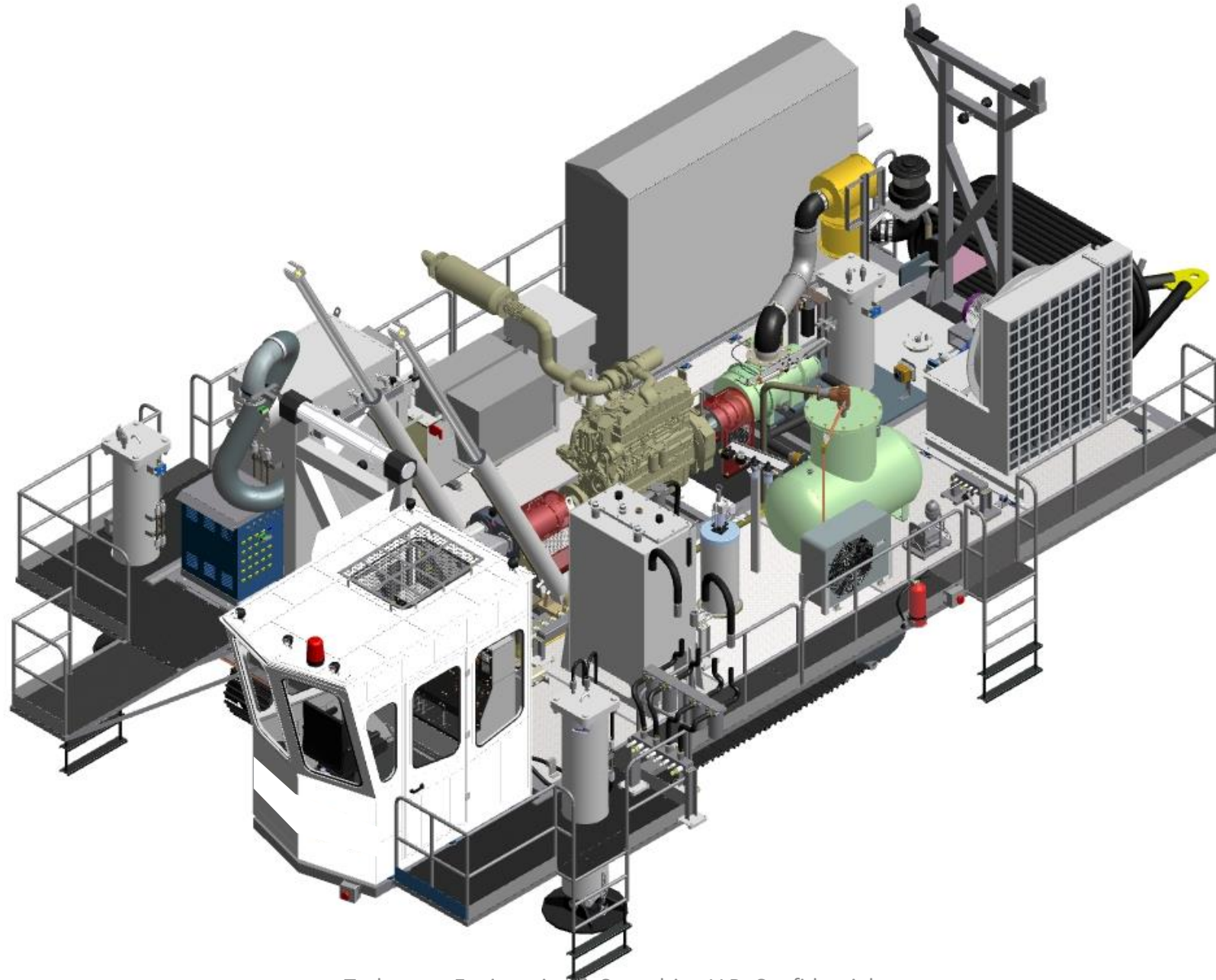
BLAST HOLE DRILL

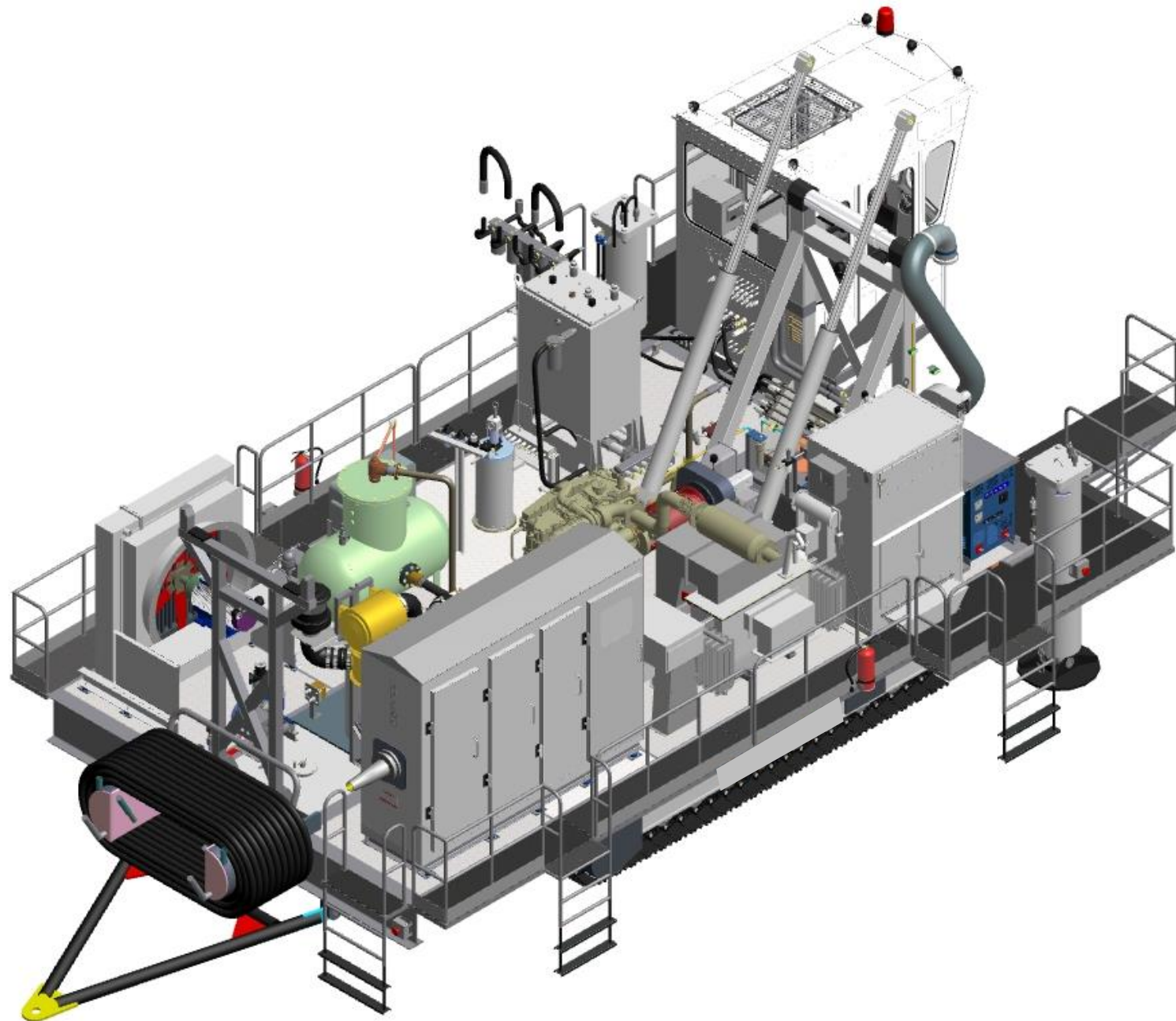


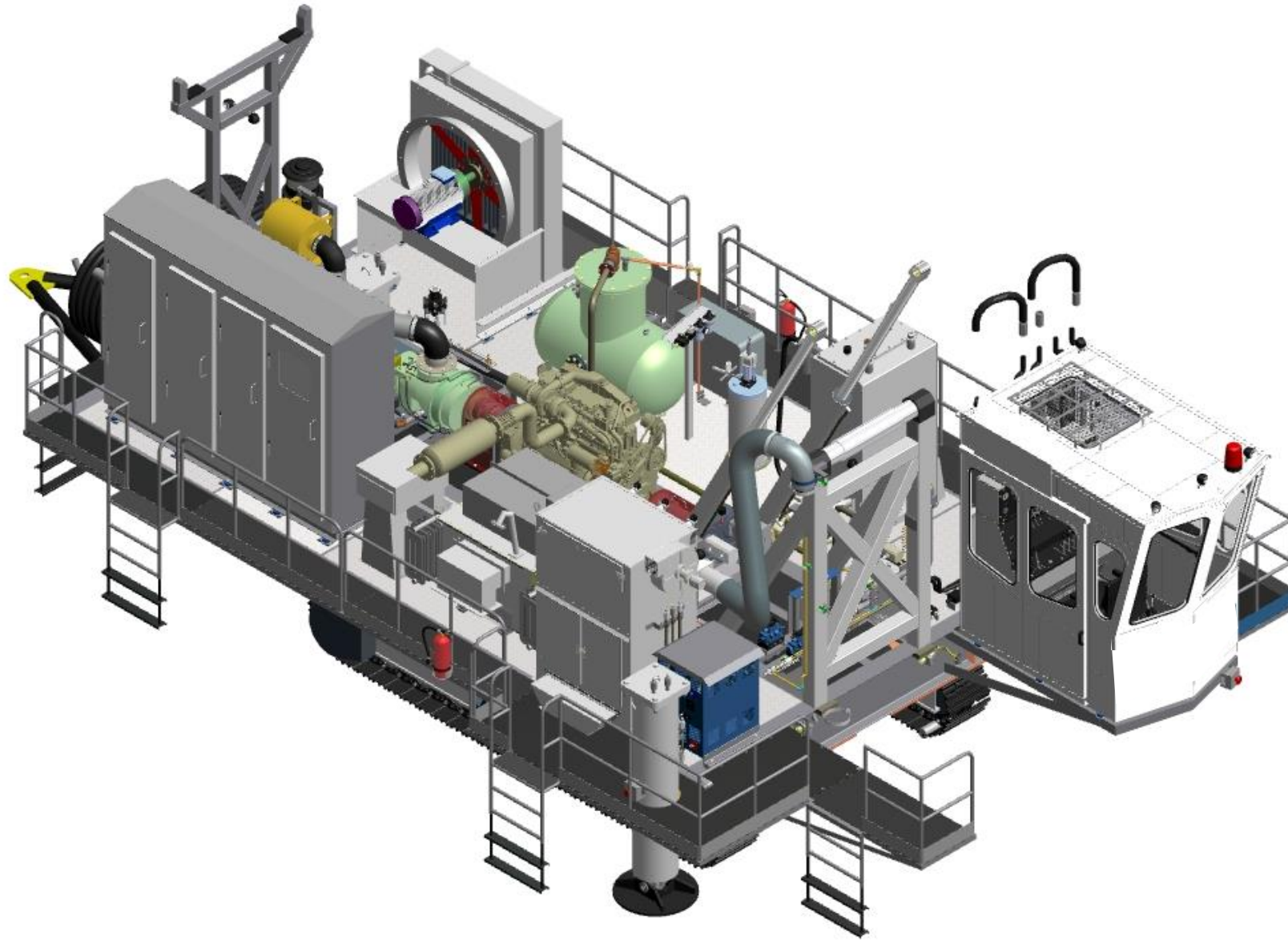
Technovos Engineering & Consulting LLP_Confidential



4/22/2020







CASE STUDY: 2

DIESEL BLAST HOLE DRILLING MACHINE

Blast Hole Drill with onboard Engine and high-pressure compressor

Used in coal and metal mines

- **CAD PLATFORM: AUTODESK INVENTOR**
- **DURATION: 2 YEARS**
- **SCOPE: DESIGN, DEVELOPMENT, MANUFACTURING, ASSEMBLY, INTEGRATION, AUTOMATION, LOGIC, PROTO, FIELD TESTING, AND CERTIFICATION.**





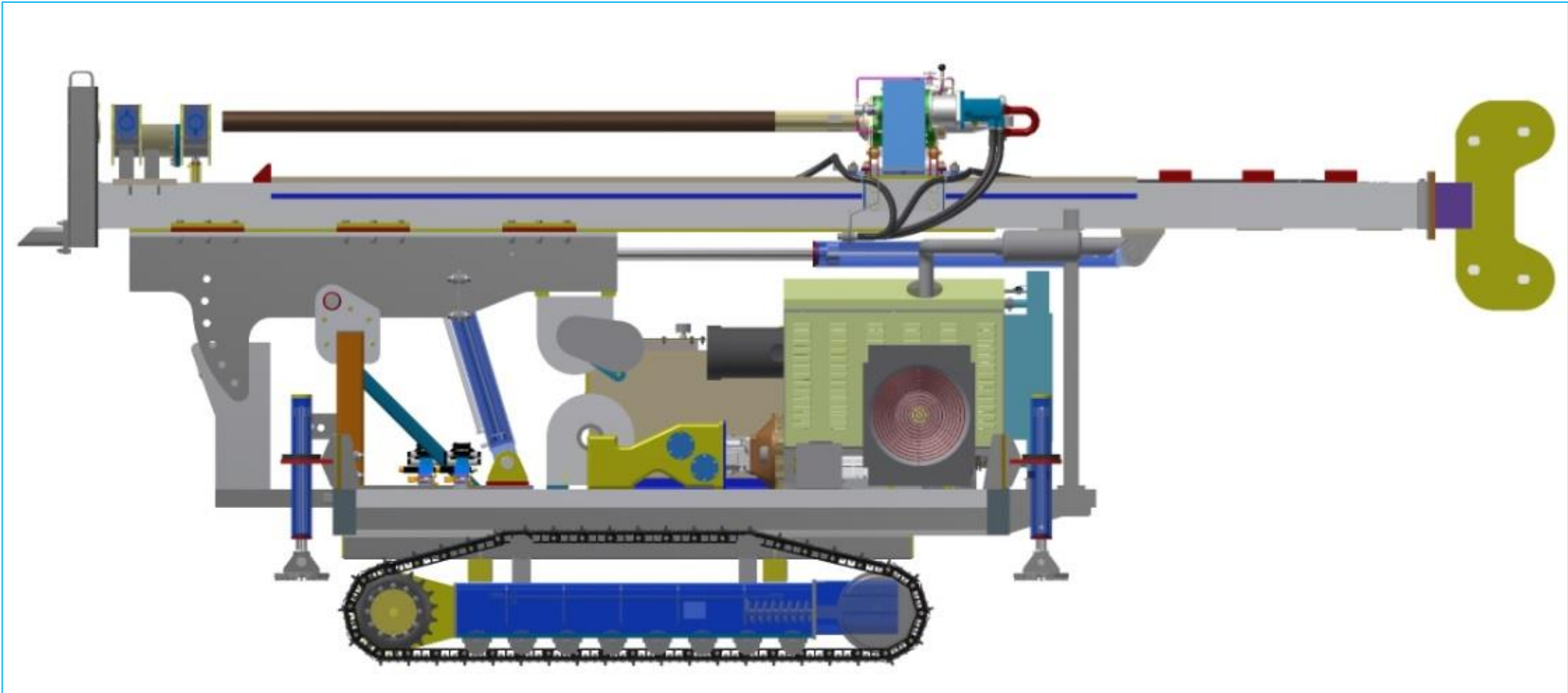
CASE STUDY: 3

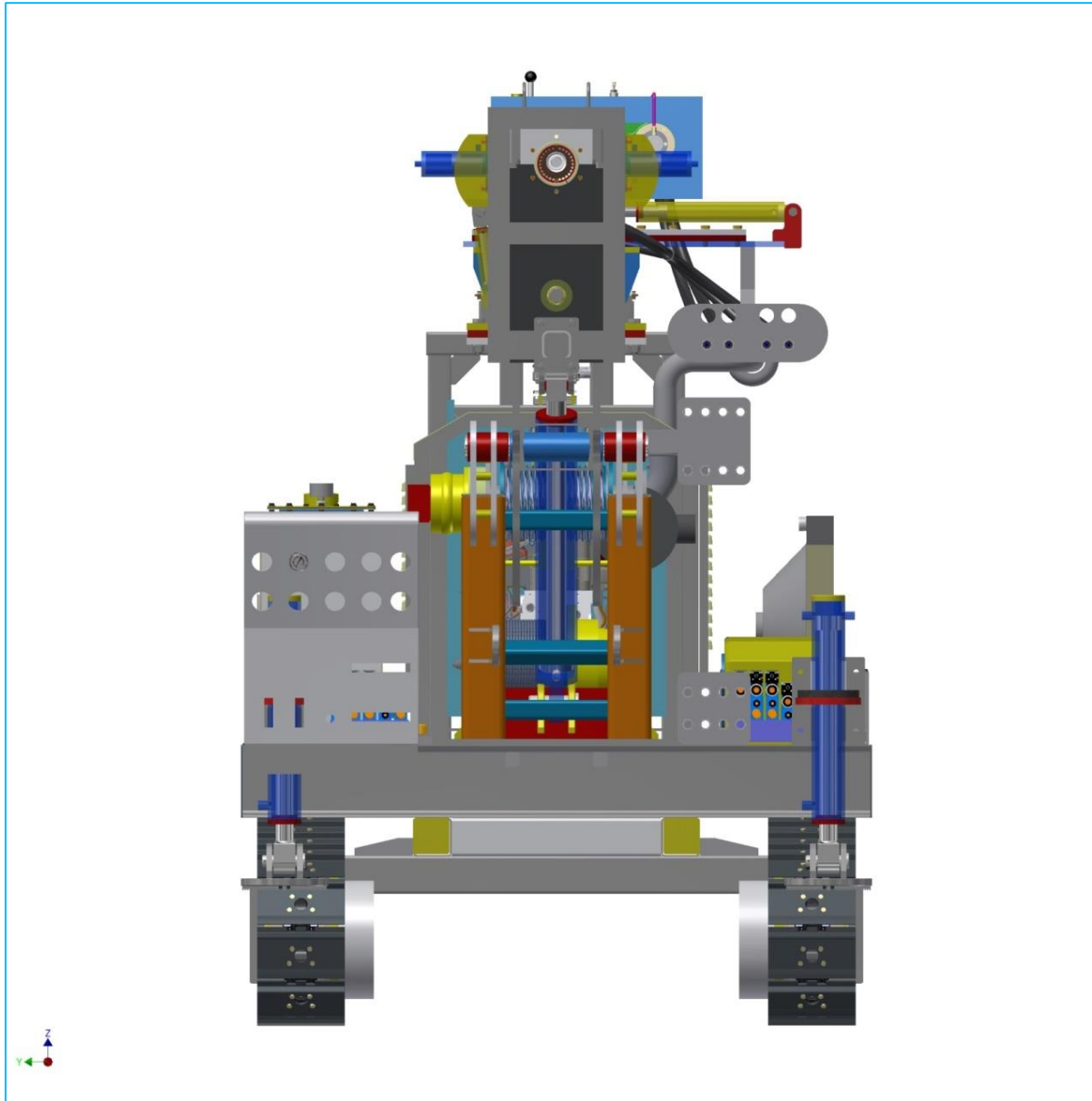
CORE DRILL FOR EXPLORATION

- **Hydrostatic Core Drill for Exploration**
- **Onboard Diesel Engine with load sensing hydraulics**
- **Remote traming for safe operation**
- **Regular winch and wire line winch for core extraction**

- **CAD PLATFORM: SOLIDWORKS**
- **DURATION: 2 YEARS**
- **SCOPE: DESIGN, DEVELOPMENT, MANUFACTURING, ASSEMBLY, INTEGRATION, AUTOMATION, LOGIC, PROTO, FIELD TESTING.**







CASE STUDY: 4

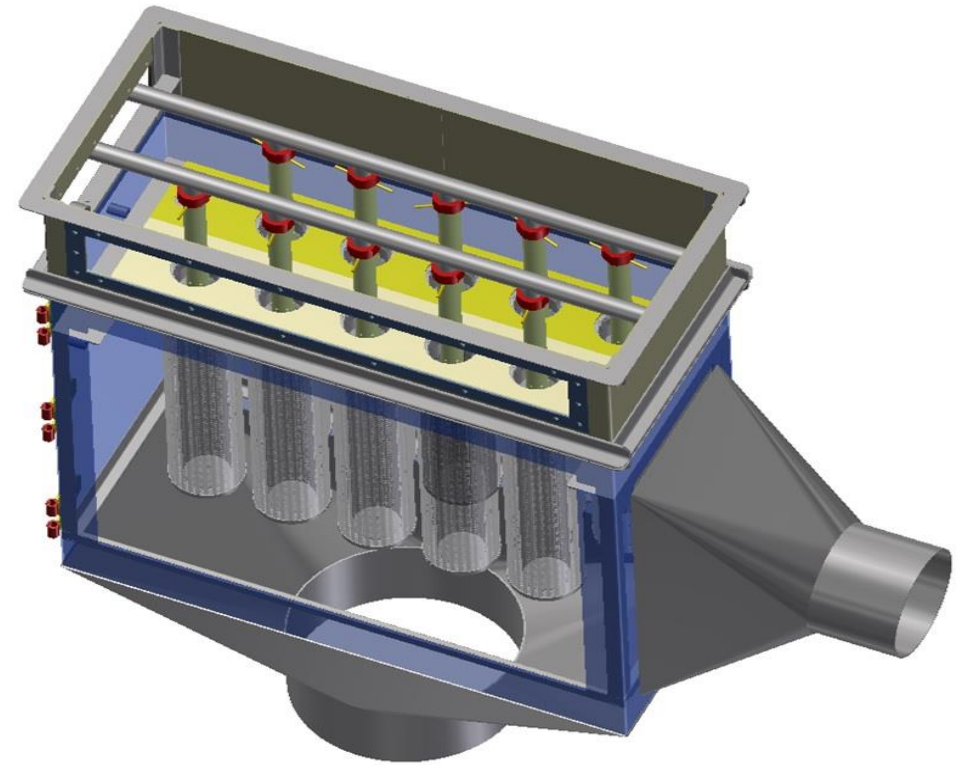
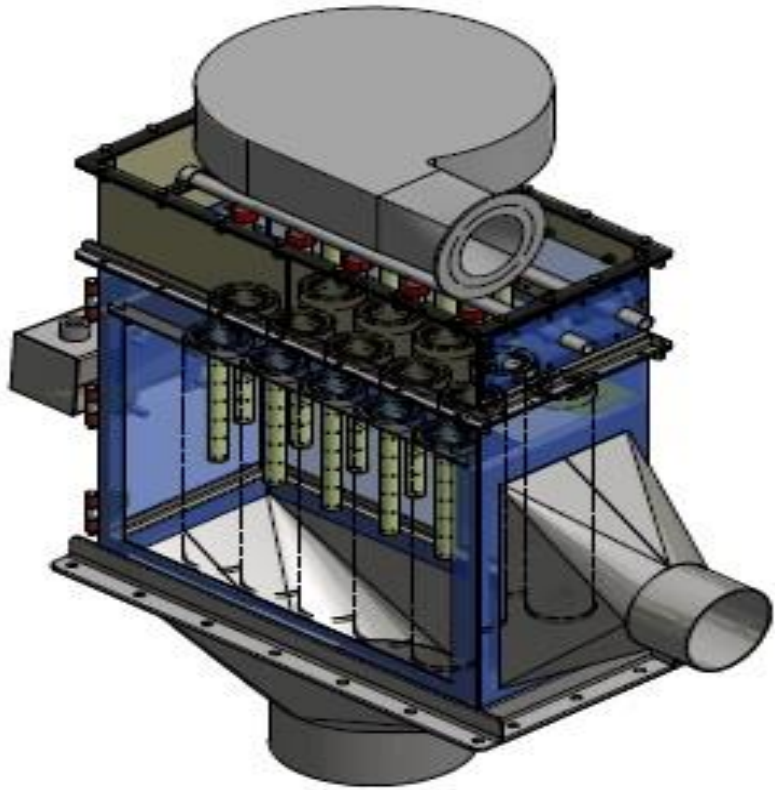
Dust Collector for Mining Machines

- **Dust Collector with Hydraulic Motor Drive**
- **Modular type Design for ease of servicing**
- **CAD PLATFORM: AUTODESK INVENTOR**
- **DURATION: 6 MONTHS**
- **SCOPE: DESIGN, DEVELOPMENT, MANUFACTURING, ASSEMBLY, INTEGRATION, PROTO, FIELD TESTING,.**









Crawler Rigs – Quarrying

- **Self propelled crawler rigs for quarrying application**
- **Onboard Engine, Hydraulics and Compressor**
- **Auto rod changer**
- **CAD PLATFORM: SOLIDWORK**
- **DURATION: 2 YEARS**
- **SCOPE: DESIGN, DEVELOPMENT, MANUFACTURING, ASSEMBLY, INTEGRATION, AUTOMATION, LOGIC, PROTO, FIELD TESTING, AND CERTIFICATION.**

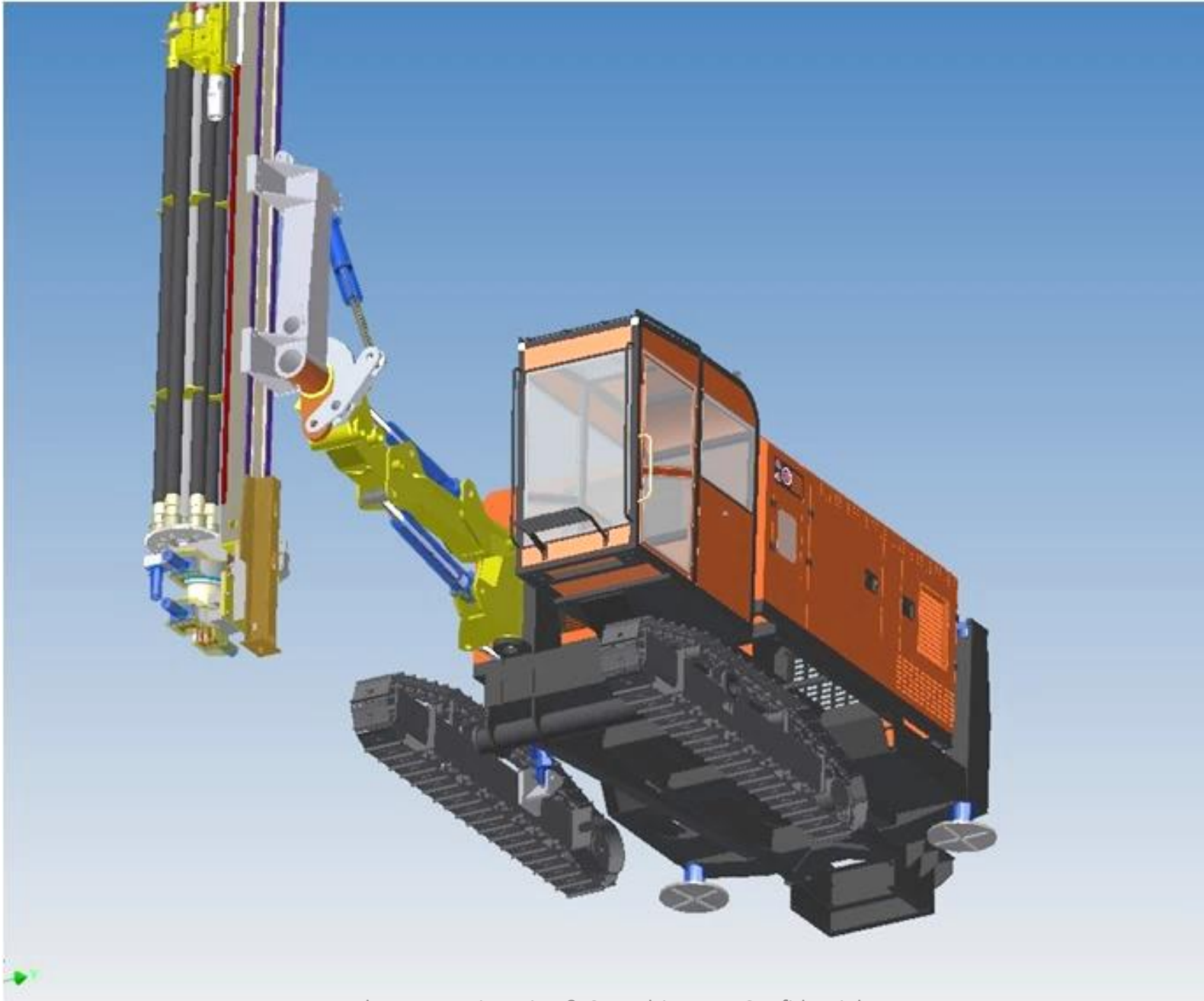




4/22/2020



Technovos Engineering & Consulting LLP_Confidential



Drill Attachment for Excavators

- **Low cost drill attachment for Excavators**
- **Various options of power and depth of drilling**
- **Chain or rope system based on application**
- **CAD PLATFORM: AUTODESK INVENTOR**
- **DURATION: 1 YEARS**
- **SCOPE: DESIGN, DEVELOPMENT, MANUFACTURING, ASSEMBLY, INTEGRATION, AUTOMATION, LOGIC, PROTO, FIELD TESTING.**



