



TECHNOVOS
ENGINEERING & CONSULTING LLP

AGILE | COLLABORATE | DELIVER

From Ideation to Implementation

ENGINEERING SERVICES AND NEW PRODUCT DEVELOPMENT
CASE STUDIES-CONSTRUCTION EQUIPMENTS

Area of our Focus- Services we offer Are:

1. New Product Development
2. Product Ideation and Concept Study
3. Legacy Conversion
4. ECN / ECR
5. CAD Conversion (2D & 3D)
6. Reverse Engineering
7. Product Indigenization
8. Re-Engineering or Product Re-Evaluation
9. Product Engineering and Prototyping
10. BPR (Business Process Reengineering)
11. Technical & Product Manual Publication



OUR DOMAIN EXPERIENCE



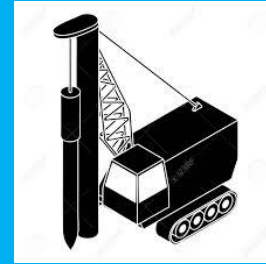
MATERIAL HANDLING



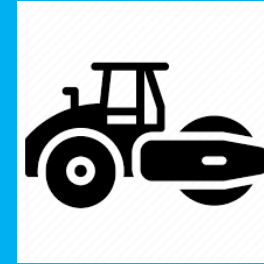
EARTH MOVING



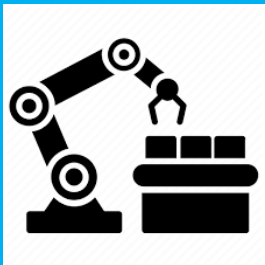
AGRICULTURAL



DRILLING



ROAD INFRA



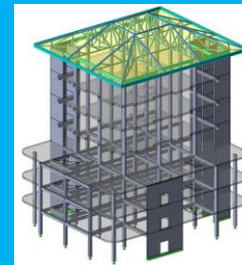
INDUSTRIAL



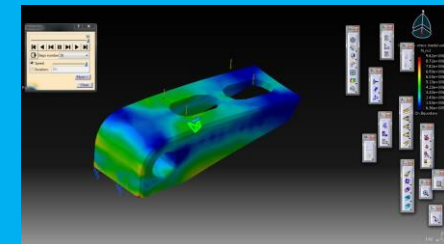
BPR & PROCESS AUTMATIO



MINING MACHINERY



STRUCTURAL DESIGN/ ENGINEERING



STRUCTURAL ANALYSIS



CASE STUDIES- CONSTRUCTION EQUIPMENT

1. Stationery and Mobile Brick Making Machine
2. Cement Silo Transportation Truck



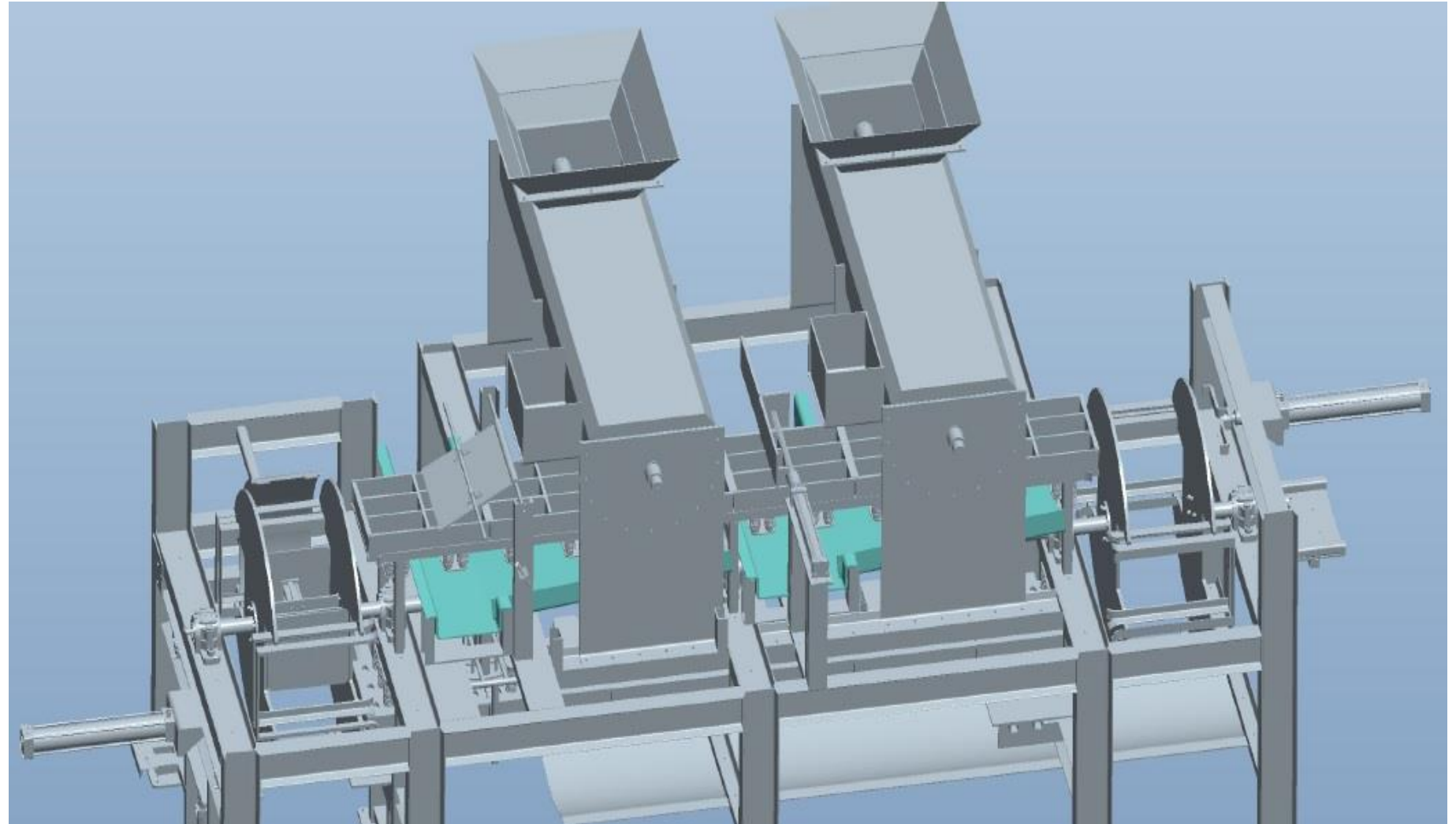
CASE STUDY: 1

Clay Brick Making Machine - Stationary

**Completely automatic
clay brick
manufacturing with
stepper motors and
positioners**

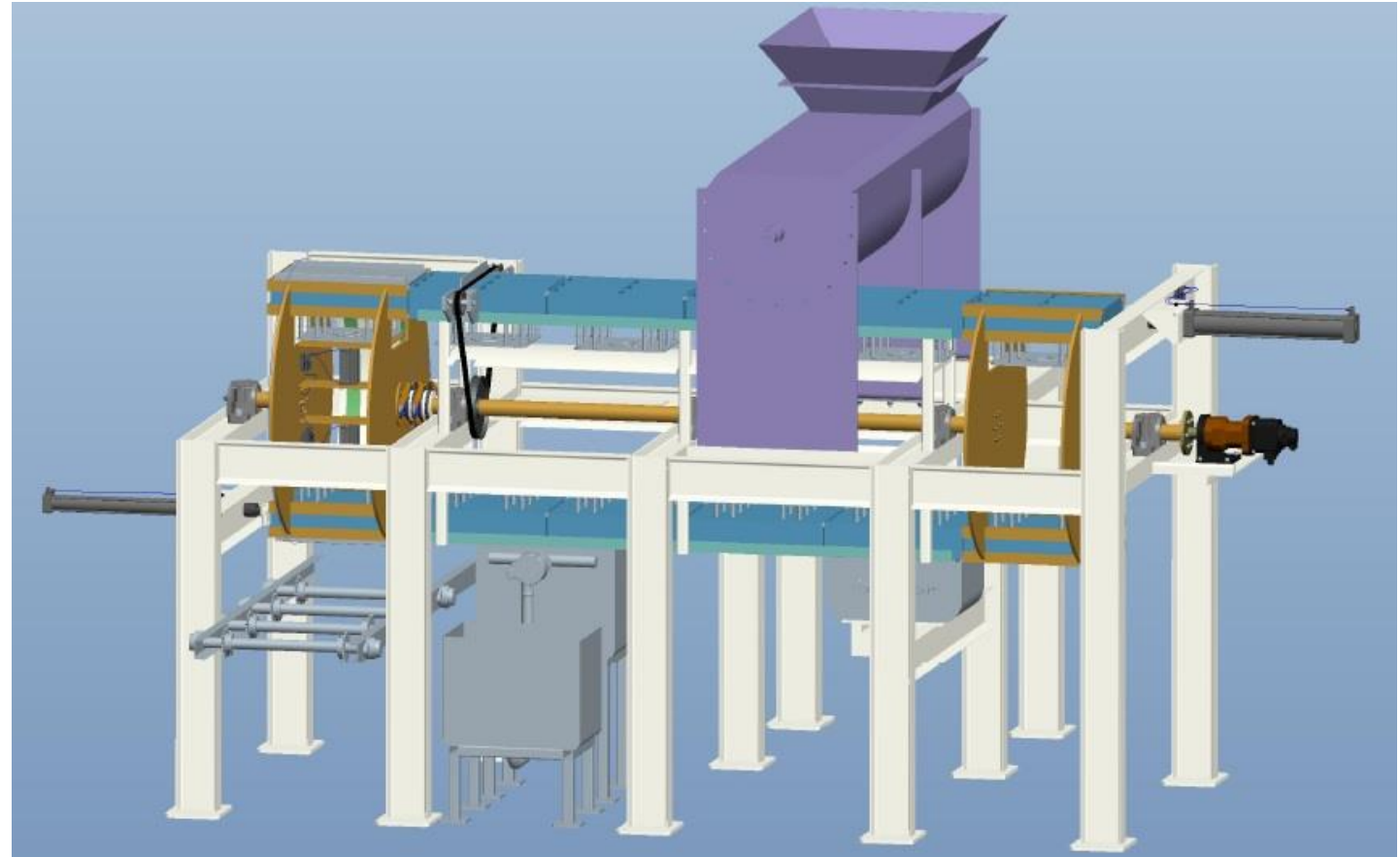
**Auto indexing system
for subsequent
operation**

**Optional conveyor
system for transfer of
bricks**



Clay Brick Making Machine with Hoppers and Moulds

- **CAD PLATFORM: SOLIDWORKS**
- **DURATION: 6 MONTHS**
- **SCOPE: DESIGN, DEVELOPMENT, MANUFACTURING, ASSEMBLY, INTEGRATION, AUTOMATION, LOGIC, PROTO, FIELD TESTING, AND CERTIFICATION.**



MOBILE CLAY BRICK MAKING MACHINE

- Continuous clay brick manufacturing by egg laying concept
- Various size of hopper to suit truck chassis weight carrying capacity
- Onboard hydraulically driven screw conveyors for clay loading
- Rotating mould for continuous operation

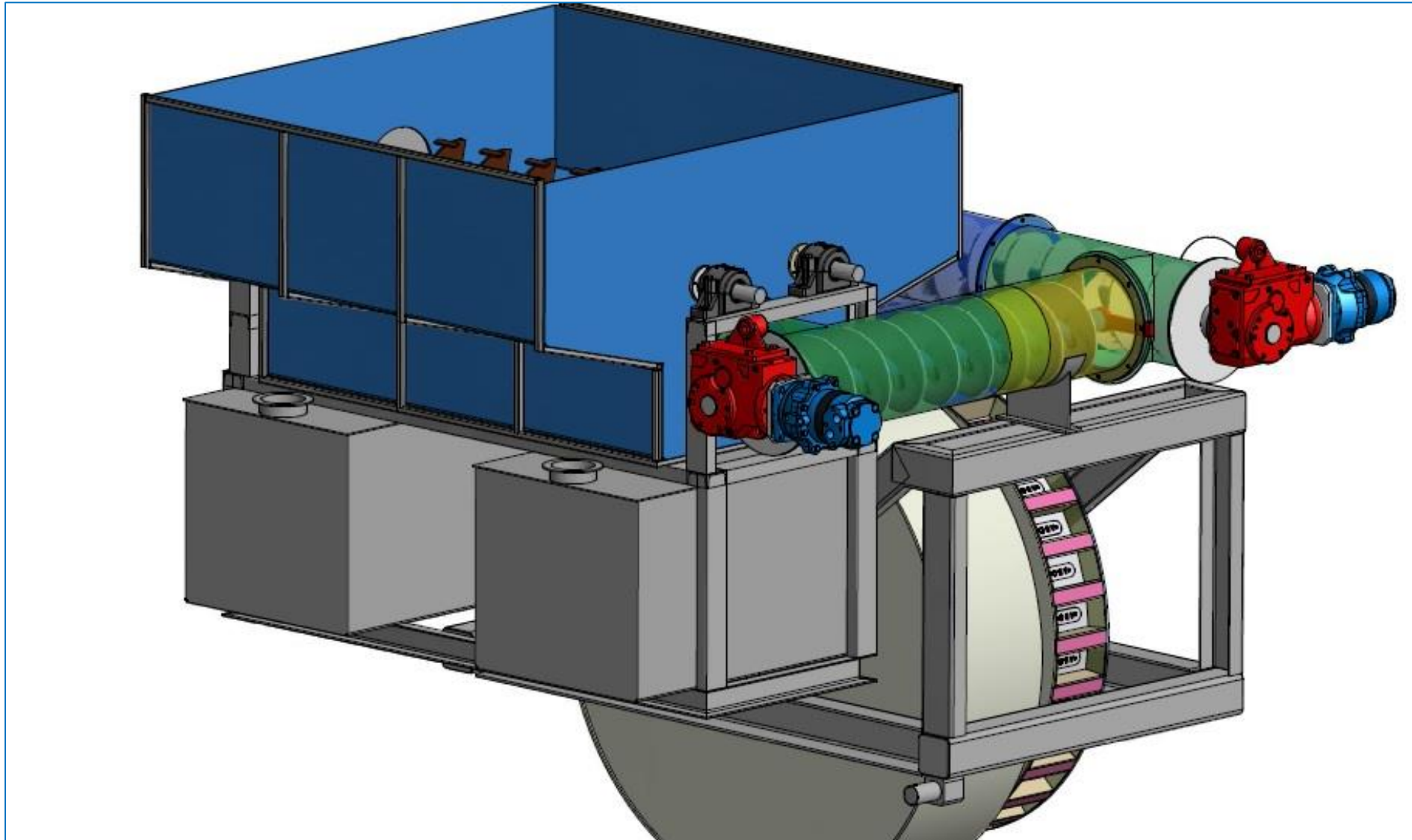
- CAD PLATFORM: SOLIDWORKS

- DURATION: 1 YEAR

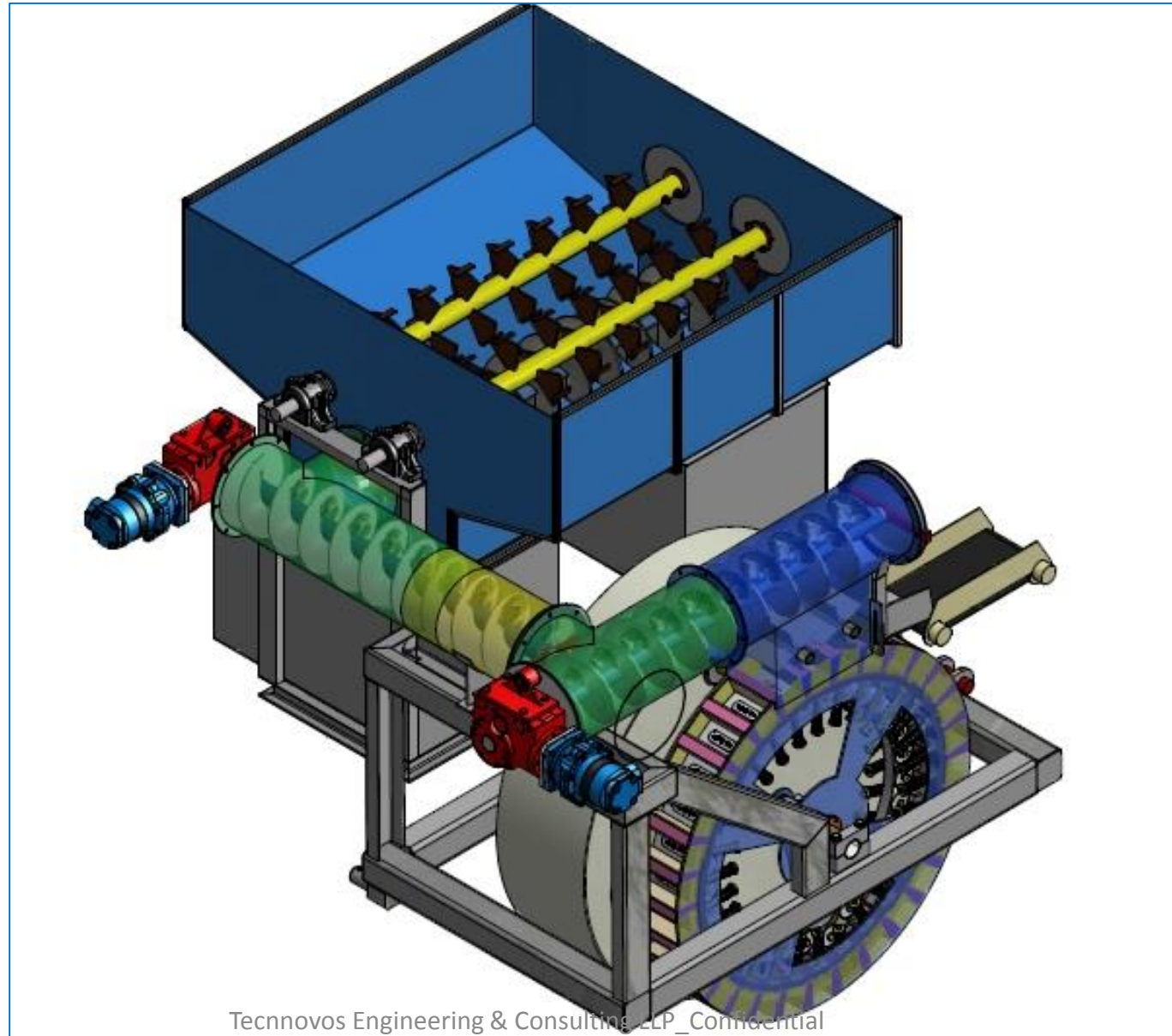
- SCOPE: DESIGN, DEVELOPMENT, MANUFACTURING, ASSEMBLY, INTEGRATION, AUTOMATION, LOGIC, PROTO, FIELD TESTING.



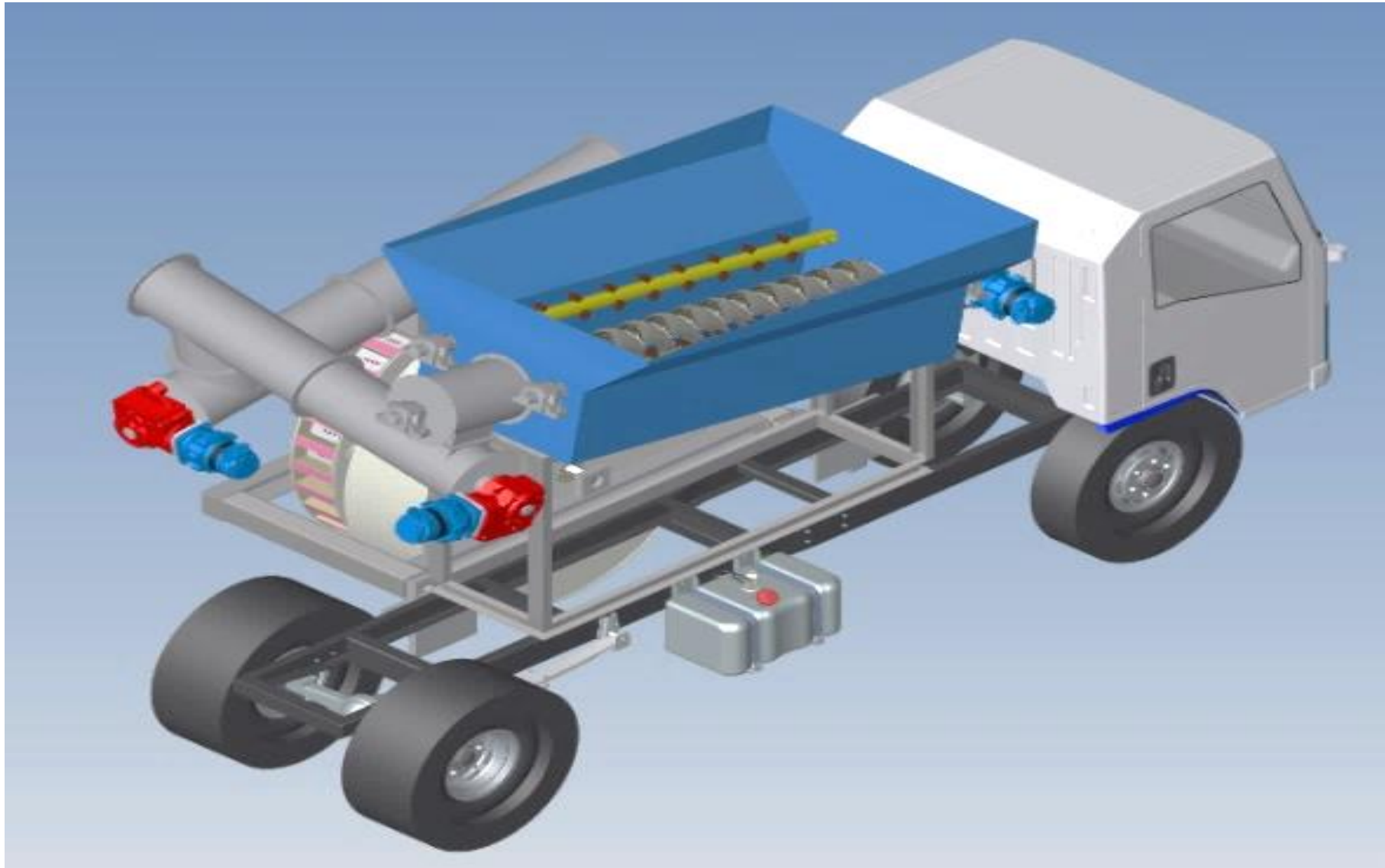
Mould Assembly with hopper



Mould Assembly with hopper



Mobile Clay Brick Making Machine



CASE STUDY: 2

Cement Silo Transportation Truck

- **Cement silo lift and transportation**
- **New concept design for elimination of bagging and spillage**
- **Pick and drop concept**

- **CAD PLATFORM: AUTODESK INVENTOR**
- **DURATION: 0.8 YEARS**
- **SCOPE: DESIGN, AND PRODUCT CONCEPTULIZATION**



